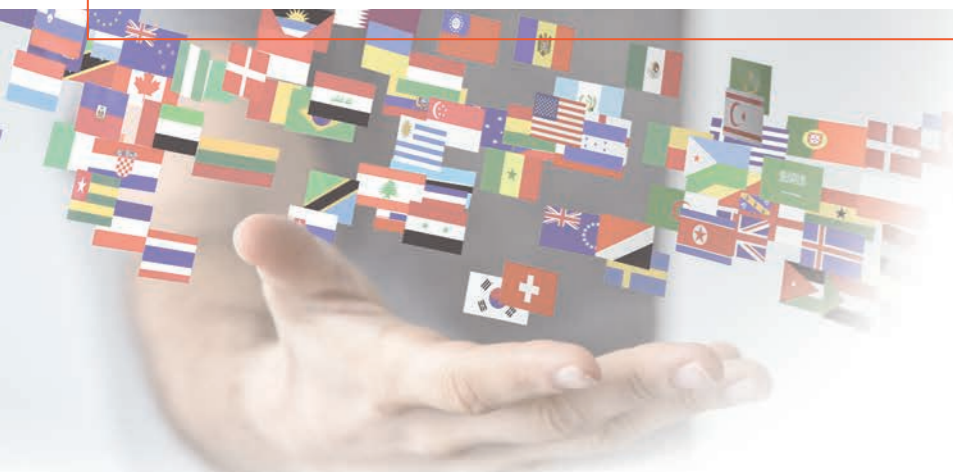


RINGSPANN® in Industrial Gears and Geared Motors

Power Transmission Components and Clamping Fixtures





Headquarters

Bad Homburg, Germany

Founded

1944

Subsidiaries

18

Manufacturing plants

8

Employees

500

Customers

> 6,000 a year

Product range

Power Transmission
Clamping Fixtures
Remote Control Systems

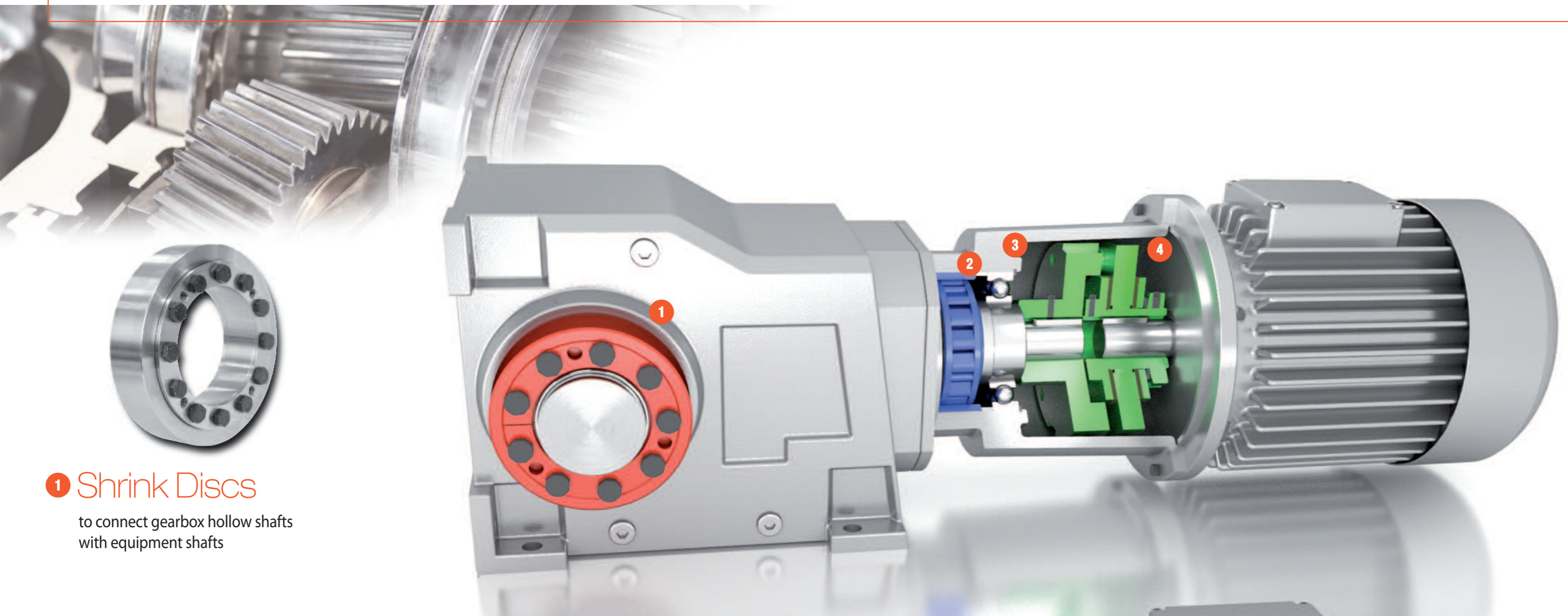
Company profile

Innovative achievements have made RINGSPANN a leading manufacturer for Power Transmission Components, Clamping Fixtures and Remote Control Systems. Many well-known companies from the machine building, the material handling, the energy as well as the aerospace industries successfully work with RINGSPANN. With more than 75 years' experience in development, design and manufacturing, we are experts in intelligent technical solutions.

From our headquarters in Bad Homburg, Germany, 500 employees in 18 international companies provide personal service onsite and ensure speedy and reliable delivery. Manufacturing plants in the most important regions of the world make flexible and customer-orientated production possible.

Customer service is close to our heart; we want you to continue to choose RINGSPANN.





1 Shrink Discs

to connect gearbox hollow shafts with equipment shafts

2 Freewheels as Backstops

to prevent reverse rotation of equipment

3 Star Spring Washers

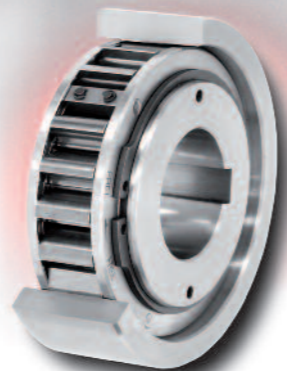
to axial preload of ball bearings

4 Friction Torque Clutches

to separate motors from gears in the event of overload

5 Jaw Couplings

for elastic connection of motor and gear



1 Shrink Discs

to connect gearbox hollow shafts with equipment shafts



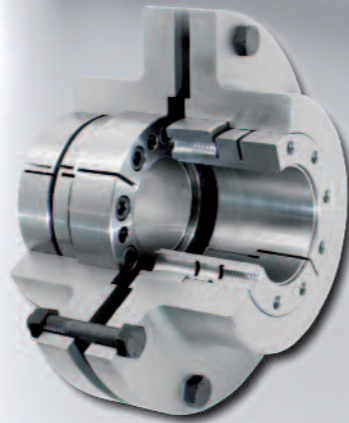
2 Jaw Couplings

for elastic connection of motor and gear



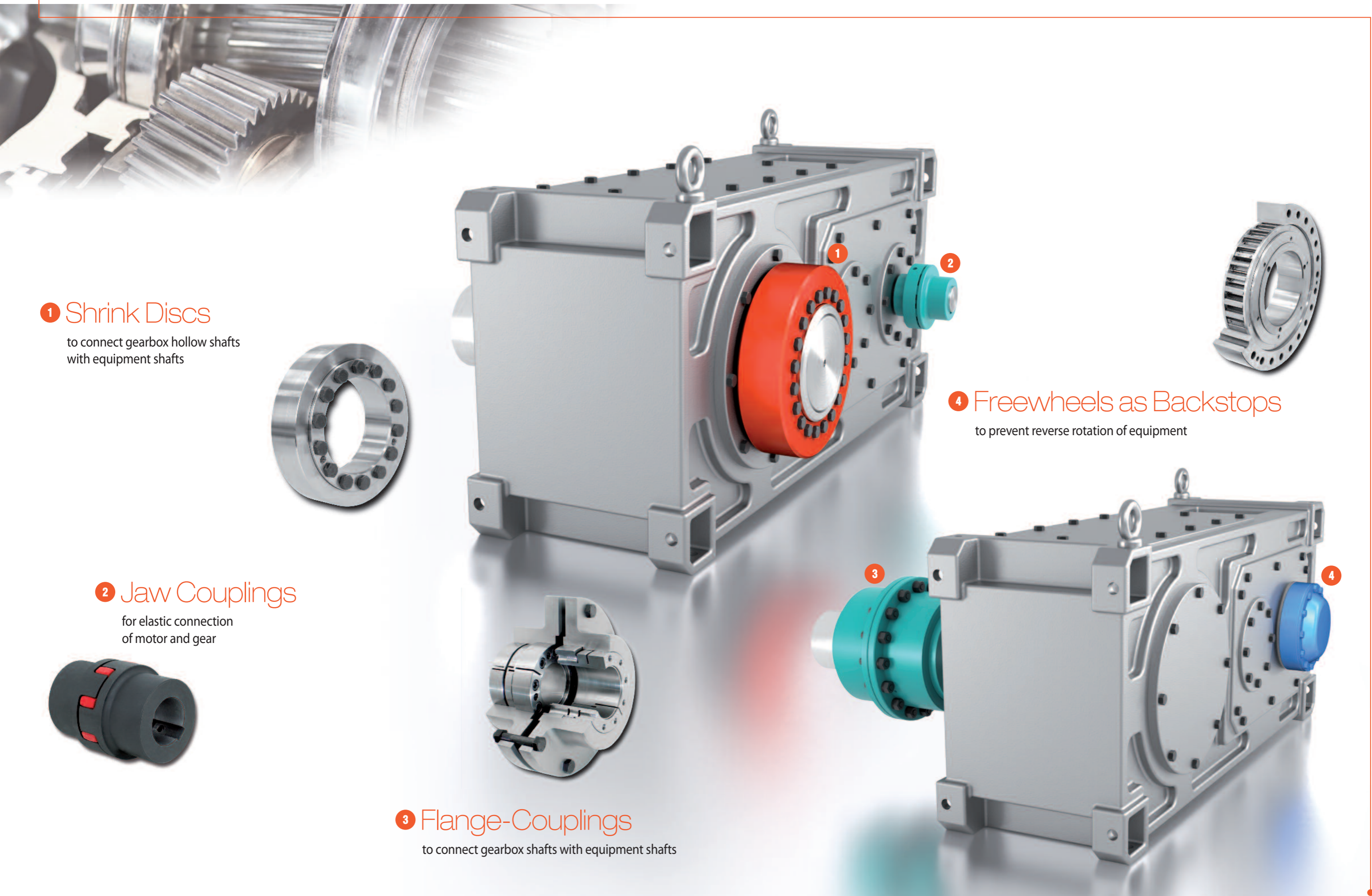
3 Flange-Couplings

to connect gearbox shafts with equipment shafts



4 Freewheels as Backstops

to prevent reverse rotation of equipment





1 Shrink Discs

to connect gearbox hollow shafts with equipment shafts

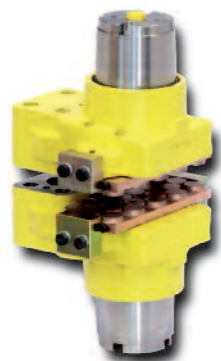
2 Freewheels as Backstops

to prevent reverse rotation of equipment



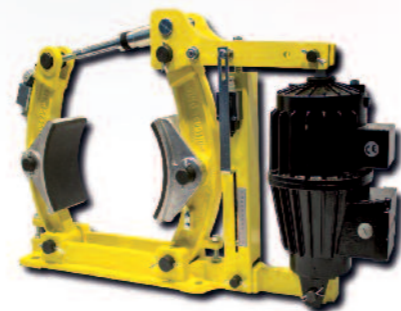
3 Pin and Bush Couplings

to connect drive shaft with gear shaft with brake disc



4 Brakes

for braking and holding of equipment



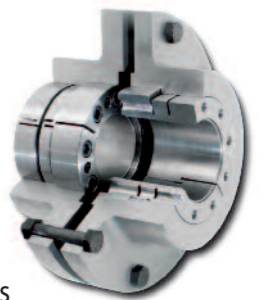
5 Control Systems

for controlled braking



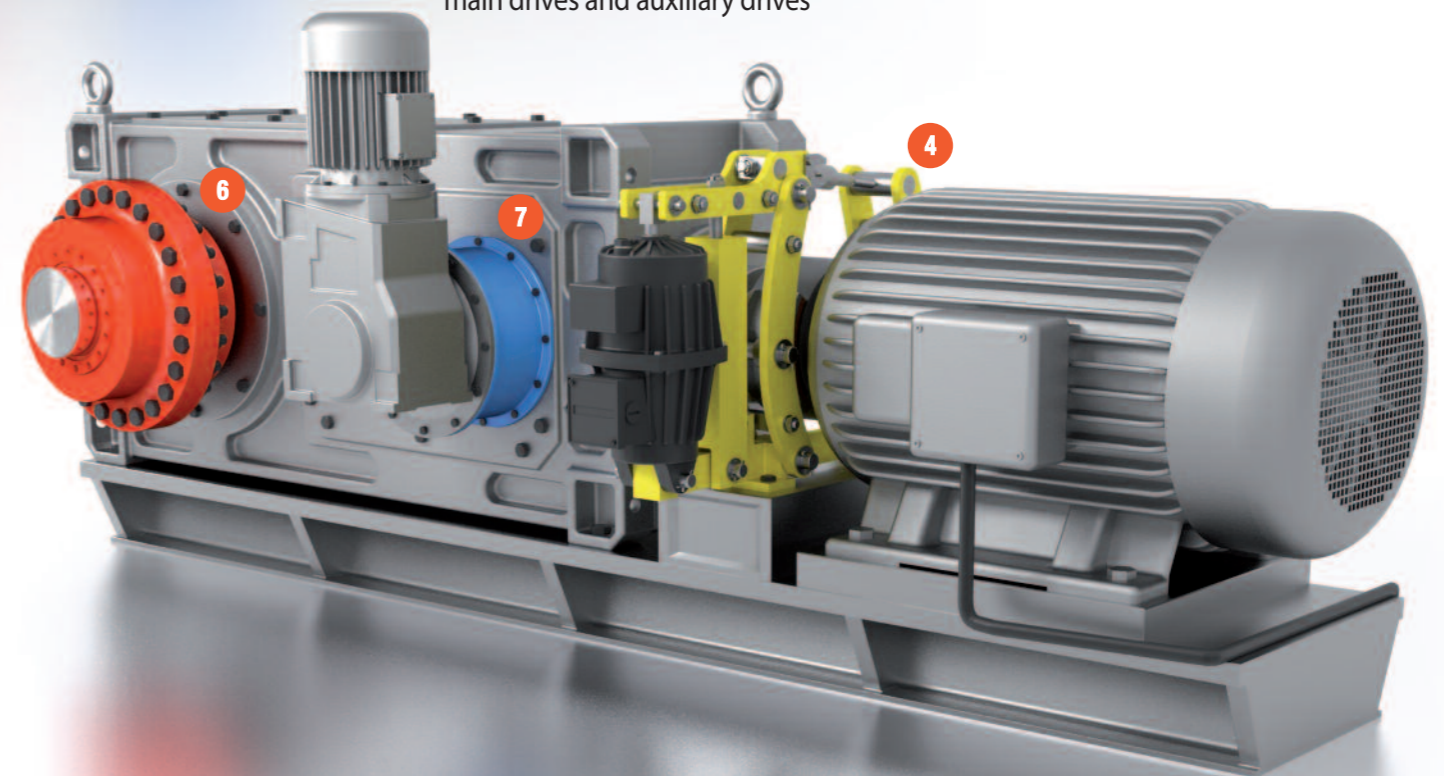
6 Flange-Couplings

to connect gearbox shafts with equipment shafts



7 Freewheels as Overrunning Clutches

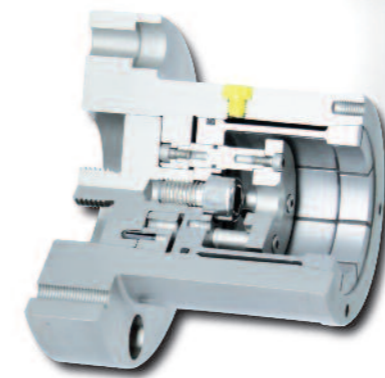
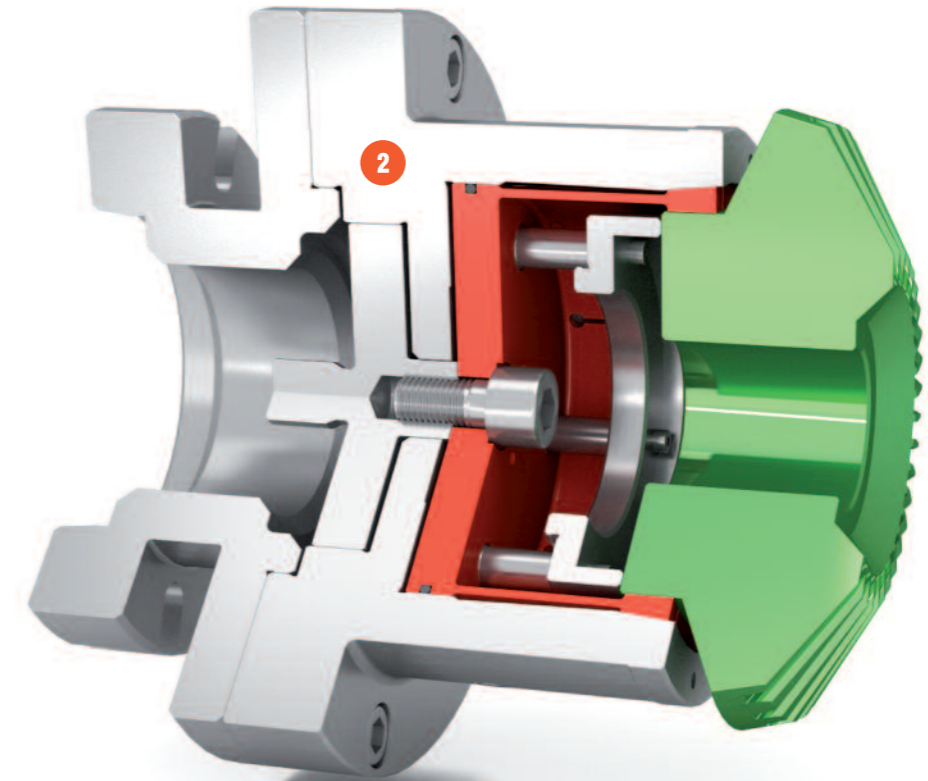
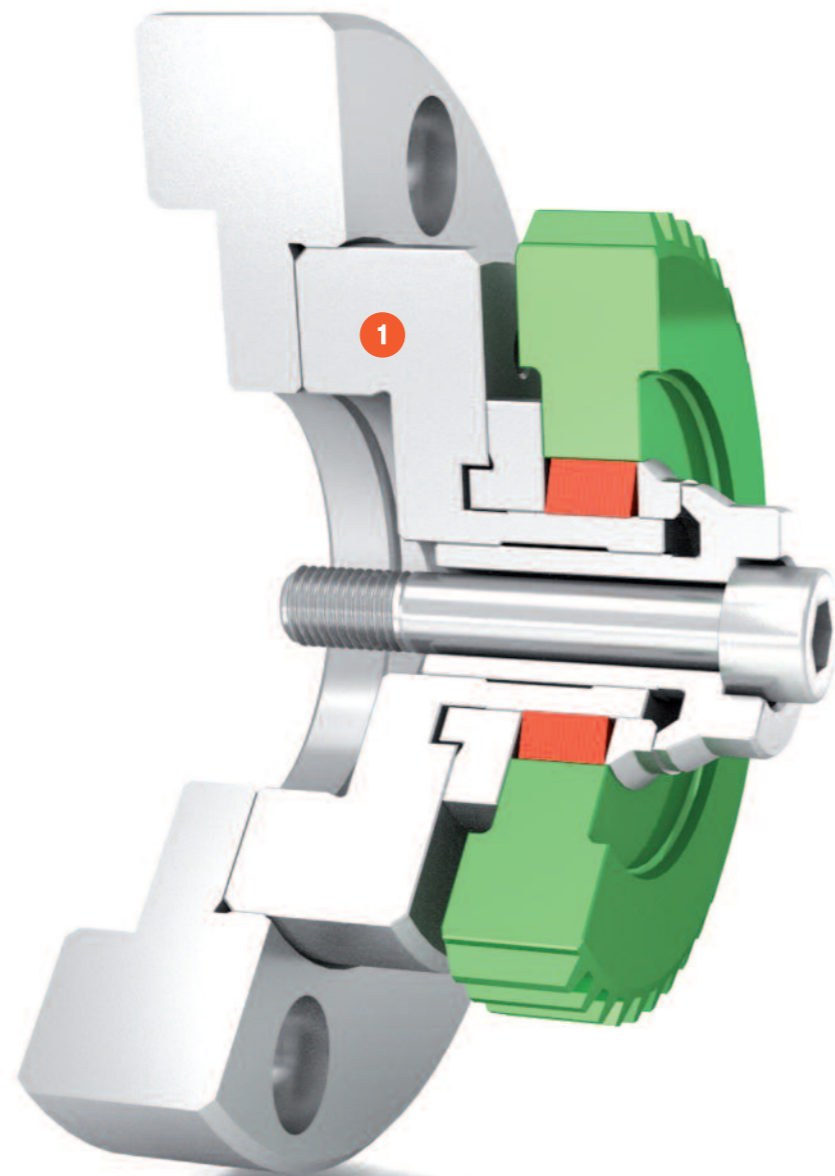
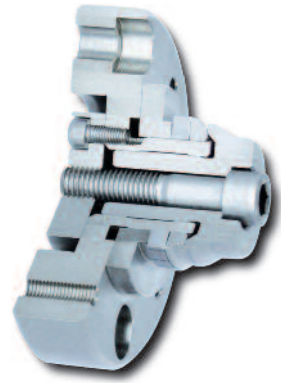
for automatic engagement and disengagement of main drives and auxiliary drives





1 Precision Clamping Mandrels

to clamp gear wheels or gear parts
on inside diameters



2 Precision Clamping Chucks

to clamp gear wheels or gear parts
on outside diameters

Germany

RINGSPANN GmbH

Schaberweg 30-38, 61348 Bad Homburg
Germany • +49 6172 275 0
info@ringspann.de • www.ringspann.de

RINGSPANN RCS GmbH

Hans-Mess-Straße 7, 61440 Oberursel, Germany
+49 6172 67 68 50
info@ringspann-rcs.de • www.ringspann-rcs.de

France

SIAM - RINGSPANN S.A.

23 rue Saint-Simon, 69009 Lyon, France
+33 4 78 83 59 01
info@siam-ringspann.fr • www.ringspann.fr

Great Britain, Ireland

RINGSPANN (U.K.) LTD.

3, Napier Road, Bedford MK41 0QS, Great Britain
+44 1234 3425 11
info@ringspann.co.uk • www.ringspann.co.uk

Italy

RINGSPANN Italia S.r.l.

Via A.D. Sacharov, 13, 20812 Limbiate (MB), Italy
+39 02 93 57 12 97
info@ringspann.it • www.ringspann.it

Netherlands, Belgium, Luxembourg

RINGSPANN Benelux B.V.

Nieuwenkampsmaten 6-15, 7472 DE Goor,
Netherlands • +31 547 26 13 55
info@ringspann.nl • www.ringspann.nl

Austria, Hungary, Slovenia

RINGSPANN Austria GmbH

Triesterstraße 21, 2620 Neunkirchen, Austria
+43 2635 62446
info@ringspann.at • www.ringspann.at

Poland

Radius-Radpol Wiecheć Sp.J.

Ul. Pasjonatów 3, 62-070 Dąbrowa, Poland
+48 61 814 39 28 • info@radius-radpol.com.pl
www.radius-radpol.com.pl

Romania, Bulgaria, Moldova

S.C. Industrial Seals and Rolls S.R.L.

Str. Depozitelor, No. 29, 110078 Pitesti, Romania
+4 0751 228228
mihai@isar.com.ro • www.isar.com.ro

Sweden, Finland, Denmark,

Norway, Baltic states

RINGSPANN Nordic AB

Flottiljgatan 69, 721 31 Västerås, Sweden
+46 156 190 98
info@ringspann.se • www.ringspann.se

Switzerland

RINGSPANN AG

Sumpfstrasse 7, P.O. Box, 6303 Zug,
Switzerland • +41 41 748 0900
info@ringspann.ch • www.ringspann.ch

Spain, Portugal

RINGSPANN IBERICA S.A.

C/Uzbina, 24-Nave E1, 01015 Vitoria, Spain
+34 945 2277-50
info@ringspann.es • www.ringspann.es

Czech Republic, Slovakia

Ing. Petr Schejbal

Mezivřší 1444/27, 14700 Prag, Czech Republic
+420 222 96 90 22
Petr.Schejbal@ringspann.cz • www.ringspann.com

Ukraine

"START-UP" LLC.

Saltivske Hwy, 43, letter G-3, office 101,
Kharkiv 61038, Ukraine • +38 057 717 03 04
start-up@start-up.kh.ua • www.start-up.kh.ua

Asia

Australia, New Zealand

RINGSPANN Australia Pty Ltd

10 Network Drive, Carrum Downs Vic 3201,
Australia • +61 3 9069 0566
info@ringspann.com.au • www.ringspann.com.au

China, Taiwan

RINGSPANN Power Transmission (Tianjin) Co., Ltd.

No. 21 Gaoyan Rd., Binhai Science and Technology
Park, Binhai Hi-Tech Industrial, Development Area,
Tianjin, 300458, P.R. China • +86 22 5980 31 60
info.cn@ringspann.cn • www.ringspann.cn

India, Bangladesh, Nepal

RINGSPANN Power Transmission India Pvt. Ltd.

GAT No: 679/2/1, Village Kuruli, Taluka Khed, Chakan-
Alandi Road, Pune - 410501, Maharashtra, India
+91 21 35 67 75 00 • info@ringspann-india.com
www.ringspann-india.com

Singapore, ASEAN

RINGSPANN Singapore Pte. Ltd.

143 Cecil Street, #17-03 GB Building,
Singapore 069542 • +6012 589 8975
info@ringspann.sg • www.ringspann.sg

South Korea

RINGSPANN Korea Ltd.

33 Gojae-17 Ghil Dongnam-gu, 31187 Cheonan-si
Chungnam, South Korea • +82 10 54961 368
info@ringspann.kr • www.ringspann.kr

America

Brazil

Antares Acoplamentos Ltda.

Rua Evaristo de Antoni, 1222, Caxias do Sul, RS,
CEP 95041-000, Brazil • +55 54 32 18 68 00
vendas@antaresacoplamentos.com.br
www.antaresacoplamentos.com.br

Chile, Peru, Colombia, Ecuador

RINGSPANN Sudamérica SpA

Miraflores 222, Piso 28-N, Santiago,
Región Metropolitana, Chile • +56 9 9147 2833
info@ringspannsudamerica.com
www.ringspannsudamerica.com

USA, Canada, Mexico

RINGSPANN Corporation

10550 Anderson Place, Franklin Park, IL 60131, USA
+1 847 678 35 81
info@ringspanncorp.com
www.ringspanncorp.com

Africa and Middle East

Egypt

Shofree Trading Co.

218 Emtedad Ramsis 2, 2775 Nasr City, Cairo, Egypt
+20 2 20 81 20 57
info@shofree.com • www.ringspann.com

Maghreb, West Africa

SIAM - RINGSPANN S.A.

23 rue Saint-Simon, 69009 Lyon, France
+33 4 78 83 59 01
info@siam-ringspann.fr • www.ringspann.fr

Israel

G.G. Yarom Rolling and Conveying Ltd.

6, Hamaktesh Str., 58810 Holon, Israel
+972 3 557 01 15
noam_a@gg.co.il • www.ringspann.com

South Africa, Sub-Saharan

RINGSPANN South Africa (Pty) Ltd.

96 Plane Road Spartan, Kempton Park,
P.O. Box 8111 Edenglen 1613, South Africa
+27 11 394 1830
info@ringspann.co.za • www.ringspann.co.za