

**Installation and Operating Instructions for
RLK 110 Cone Clamping Elements**

E 03.602e



RINGSPANN GmbH

Schaberweg 30-34
61348 Bad Homburg
Germany

Telephone +49 6172 275-0
Telefax +49 6172 275-275

www.ringspann.com
mailbox@ringspann.com

RINGSPANN	Installation and Operating Instructions for RLK 110 Cone Clamping Elements	E 3.602 e		
issue: 05.09.2017	version: 08	drawn.: REIW	checked.: EISF	Pages : 5 page: 2

IMPORTANT

Please read these instructions carefully before installing and operating the product. Your particular attention is drawn to the notes on safety.

These installation and operating instructions are valid on condition that the product meets the selection criteria for its proper use. Selection and design of the product is not the subject of these installation and operating instructions.

Disregarding or misinterpreting these installation and operating instructions invalidates any product liability or warranty by RINGSPANN; the same applies if the product is taken apart or changed.

These installation and operating instructions should be kept in a safe place and should accompany the product if it is passed on to others -either on its own or as part of a machine- to make it accessible to the user.

SAFETY NOTICE

- Installation and operation of this product should only be carried out by skilled personnel.
- Repairs may only be carried out by the manufacturer or accredited RINGSPANN agents.
- If a malfunction is indicated, the product or the machine into which it is installed, should be stopped immediately and either RINGSPANN or an accredited RINGSPANN agent should be informed.
- Switch off the power supply before commencing work on electrical components.
- Rotating machine elements must be protected by the purchaser to prevent accidental contact.
- Supplies abroad are subject to the safety laws prevailing in those countries.

This is a translation of the German original version!

In case of inconsistencies between the German and English version of this installation and operating instruction, the German version shall prevail.

1. General information

1.1 Function:

RLK 110 Cone Clamping Elements are internal clamping connections for backlash free fastening of hubs on shafts. By tightening clamping screws surfaces are pulled together generating radial forces; these forces create a frictional connection between the Cone Clamping Element and the shaft as well as the hub. Torques or axial forces can be transmitted from the shaft via the Cone Clamping Element to the hub.

1.2 General safety instructions:



Caution! Danger of injury!

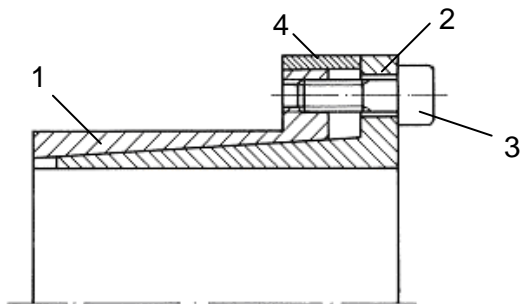
The immediate vicinity of the rotating shrink disc must be kept clear of body parts, hair, clothing and other objects at all times.

2. Configuration and function

RLK 110 Cone Clamping Elements consist of a slotted outer ring 1 with inside cone and an slotted inner ring 2 with outside cone as well as a number of clamping screws 3. The outer ring is pulled onto the inner ring by tightening the clamping screws. Radial clamping forces are generated by the conical surfaces which are dependent on the torques of the clamping screws, the cone angle and the friction coefficients at the screws and conical surface. The radial clamping forces press the outer ring into the hub bore and the inner ring onto the shaft and create a friction connection at the respective contact surfaces. In this way, torque and/or axial force can be transmitted between the shaft and the hub.

The flange ring 4 secures the axial position of the hub; the set position does not alter during clamping.

3. Cross-sectional diagram and parts list



Pos.	Nomenclature
1	Outer ring
2	Inner ring
3	Clamping screw
4	Flange ring

4. Proper use

The RLK 110 Cone Clamping Elements are designed for installation between a shaft and a hub bore. They are intended solely for the friction-tight connection of hubs and shafts for the purpose of transmitting torque and/or axial forces. Use for any other purpose is regarded as improper use. RINGSPANN accepts no liability for damages resulting from improper use and associated risks shall be borne by the user.

5. Improper use

RLK 110 Cone Clamping Elements are not suitable for:

- the direct attachment of hollow shafts to solid or hollow shafts or
- use as torque-limiting safety devices.

RINGSPANN	Installation and Operating Instructions for RLK 110 Cone Clamping Elements	E 3.602 e		
issue: 05.09.2017	version: 08	drawn.: REIW	checked.: EISF	Pages : 5 page: 4

6. Condition on delivery

The cone clamping elements are delivered packed in special paper to protect against corrosion.

7. Technical requirements for safe and effective operation

In order to achieve full transmission of torque and/or axial forces, **tolerance** on contact-pressure surfaces

- may not exceed tolerance class h8 for shafts
- or tolerance class H8 for hub bores.

In addition, pressure-contact **surfaces** on shafts and hubs must have a mean peak-to-valley height $R_a < 3,2 \mu\text{m}$.

Shaft and hub must be manufactured from **materials** with the following mechanical properties:

- E-module about 170 kN/mm^2

8. Mounting

8.1 Clean all contact surfaces on the shaft and hub thoroughly.

8.2 Apply a light coat of oil to the clamping element.



Do not use oil containing molybdenum sulphide or high-pressure additives or grease of any kind!

8.3 Loosen the clamping screws by several revolutions by hand in a crosswise sequence.

8.4 Remove a number of clamping screws matching the number of threaded press-off bores and insert them into the threaded press-off bores, turning to the point at which the inner and outer rings are held apart.

8.5 Insert the clamping element in the part to be clamped and push it onto the shaft.

8.6 Remove the screws from the press-off bores and insert them into the threaded clamping bores again.

8.7 Tighten the screws by hand in a crosswise sequence, aligning the shaft in the process.

8.8 Tighten the clamping screws to half the specified tightening torque M_s with a torque wrench spanner (see Section 11). Then tighten clockwise with half the tightening torque M_s .

8.9 Tighten the clamping screws clockwise several times with full torque.



The tightening procedure is complete when no screw turns at the full torque of M_s .



Missing or damaged clamping screws must be replaced with identical screws of quality grade 12.9!

9. Dismantling

9.1 Loosen the screws by several revolutions.

9.2 Remove a number of clamping screws matching the number of threaded press-off bores and insert them into the threaded press-off bores.

9.3 Tighten the screws in the threaded press-off bores uniformly in increments of $\frac{1}{2}$ revolution. This separates the outer ring from the inner ring and releases the connection.

9.4 Remove the hub and the cone clamping element from the shaft.

9.5 Dismantle the cone clamping element and clean thoroughly.

9.6 Inspect the cone clamping element for damage.



Only undamaged cone clamping elements may be reused!

9.7 When working with reusable cone clamping elements, lubricate all contact surfaces, the threads on the clamping screws and the contact surfaces of the screw head with a light coat of oil.



Do not use oil containing molybdenum sulphide or high-pressure additives or grease of any kind.

10. Maintenance

RLK 110 Cone Clamping Elements are maintenance-free. However, signs of settling may appear in connections during operation. We therefore recommend checking the tightness of the clamping screws each time maintenance is performed on the machine.

11. Tightening Torque M_s

Size d x D [mm]	Clamping screws	Tightening Torque M_s [Nm]	Size d x D [mm]	Clamping screws	Tightening Torque M_s [Nm]
6 x 14	M 3	2,1	35 x 47	M 6	17,4
8 x 15	M 4	5,1	38 x 50	M 6	17,4
9 x 16	M 4	5,1	40 x 53	M 6	17,4
10 x 16	M 4	5,1	42 x 55	M 8	42,2
11 x 18	M 4	5,1	45 x 59	M 8	42,2
12 x 18	M 4	5,1	48 x 62	M 8	42,2
14 x 23	M 4	5,1	50 x 65	M 8	42,2
15 x 24	M 6	17,4	55 x 71	M 8	42,2
16 x 24	M 6	17,4	60 x 77	M 8	42,2
17 x 26	M 6	17,4	65 x 84	M 8	42,2
18 x 26	M 6	17,4	70 x 90	M 10	83,0
19 x 27	M 6	17,4	75 x 95	M 10	83,0
20 x 28	M 6	17,4	80 x 100	M 10	83,0
22 x 32	M 6	17,4	85 x 106	M 10	83,0
24 x 34	M 6	17,4	90 x 112	M 10	83,0
25 x 34	M 6	17,4	95 x 120	M 10	83,0
28 x 39	M 6	17,4	100 x 125	M 12	144,0
30 x 41	M 6	17,4	110 x 140	M 12	144,0
32 x 43	M 6	17,4	120 x 155	M 12	144,0