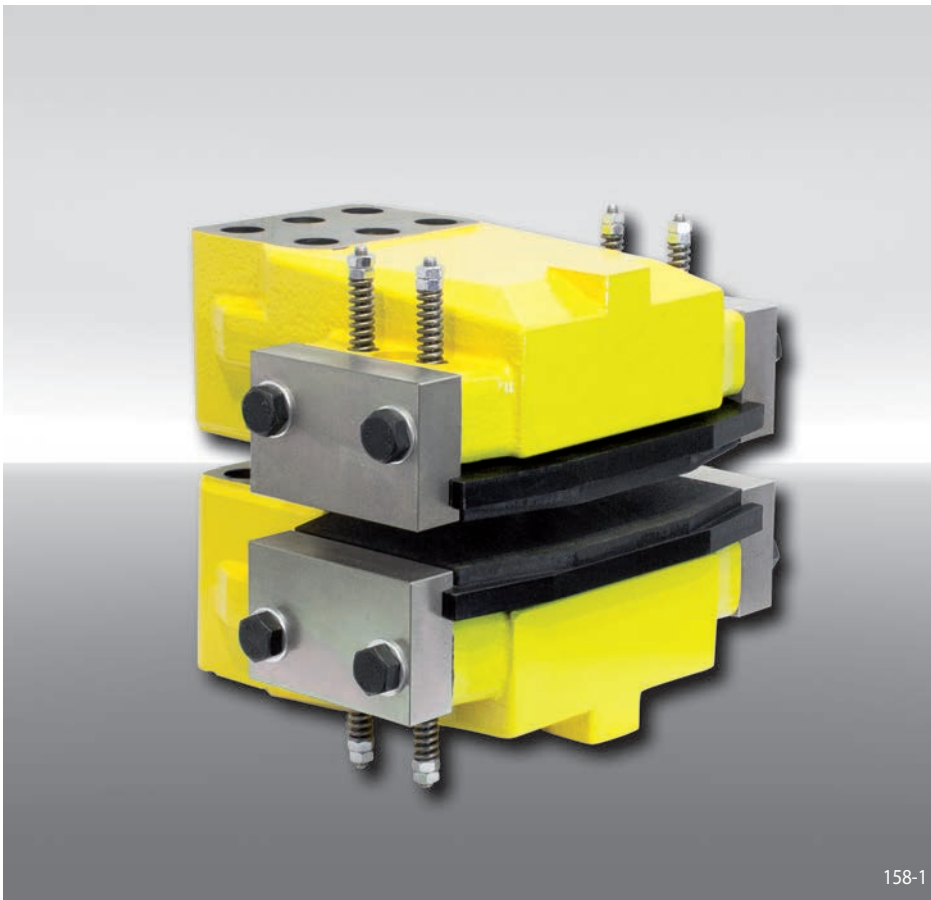


# Brake Caliper HW 120 HFK

hydraulically activated – spring released



## Features

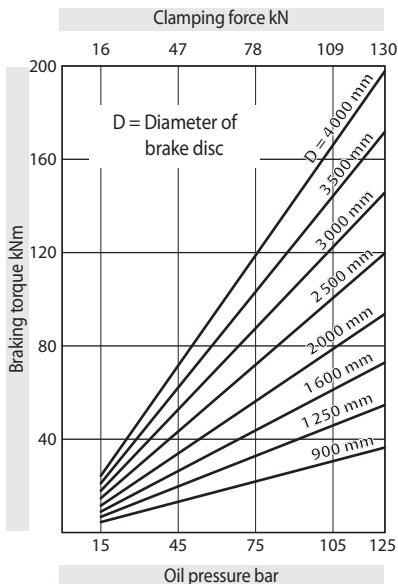
Features	Code
Brake Caliper	H
Standard	W
With piston diameter 120 mm	120
Hydraulically activated	H
Spring released	F
No adjustment to accommodate friction block wear	K
Max. clamping force 130 kN	130

## Example for ordering

Brake Caliper HW 120 HFK,  
max. clamping force 130 kN:

HW 120 HFK - 130

## Technical Data



The braking torques shown in the diagram are based on a theoretical friction coefficient of 0,4.

Oil pressure: min. 15 bar  
max. 125 bar

Oil volume: max. 214 cm<sup>3</sup>

Weight: ca. 146 kg

## Other features

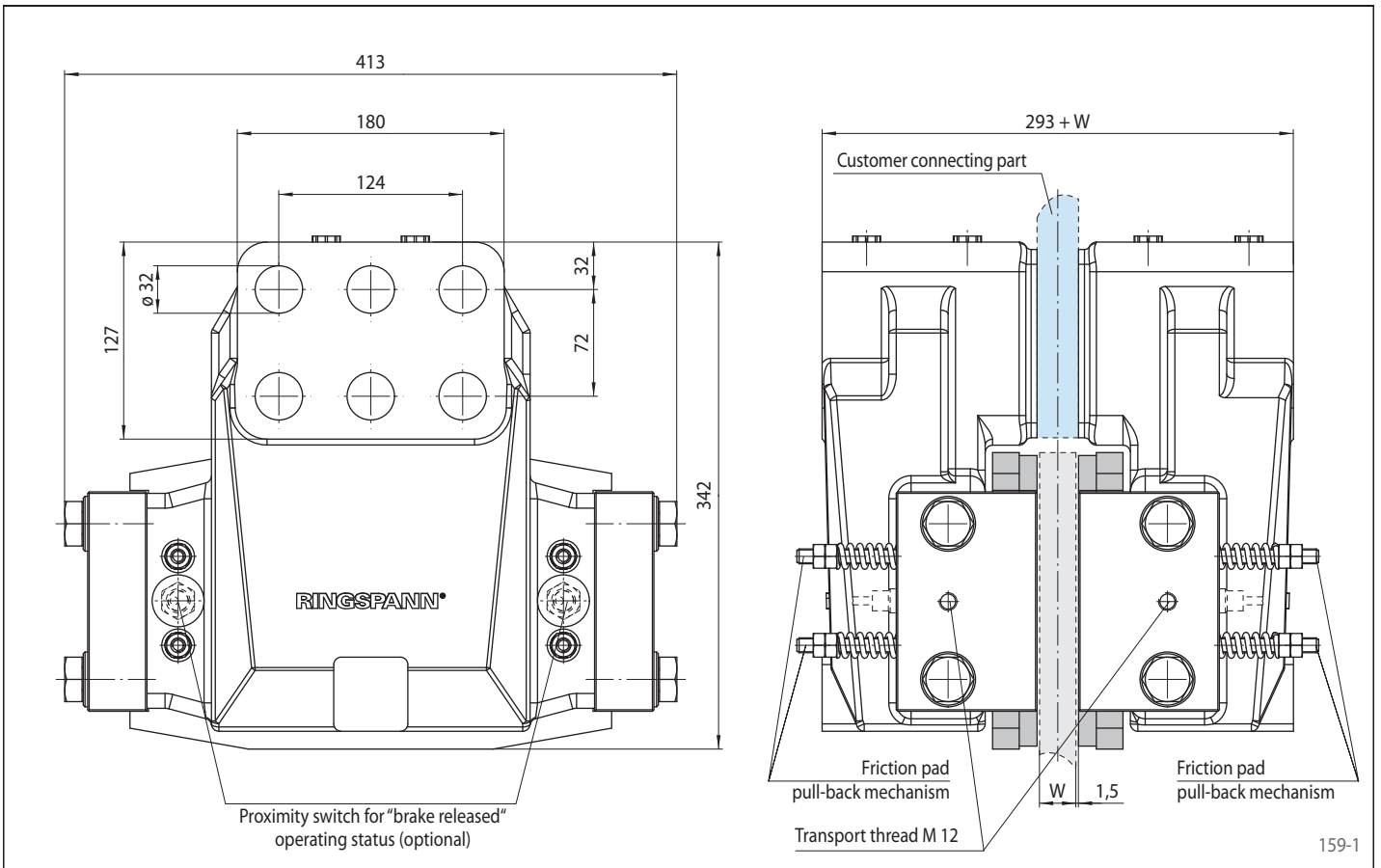
- High safety against leakage
- Easy change of friction blocks
- Painted with surface coating class C4-L according to ISO 12944
- The thickness of the customer connecting part results from the thickness of the brake disc W plus 3 mm

## Accessories

- Inductive proximity switch for "brake released" operating status
- Optional painting with surface coating class C4-H or C5M-H (offshore) according to ISO 12944

# Brake Caliper HW 120 HFK

hydraulically activated – spring released



## Mounting

