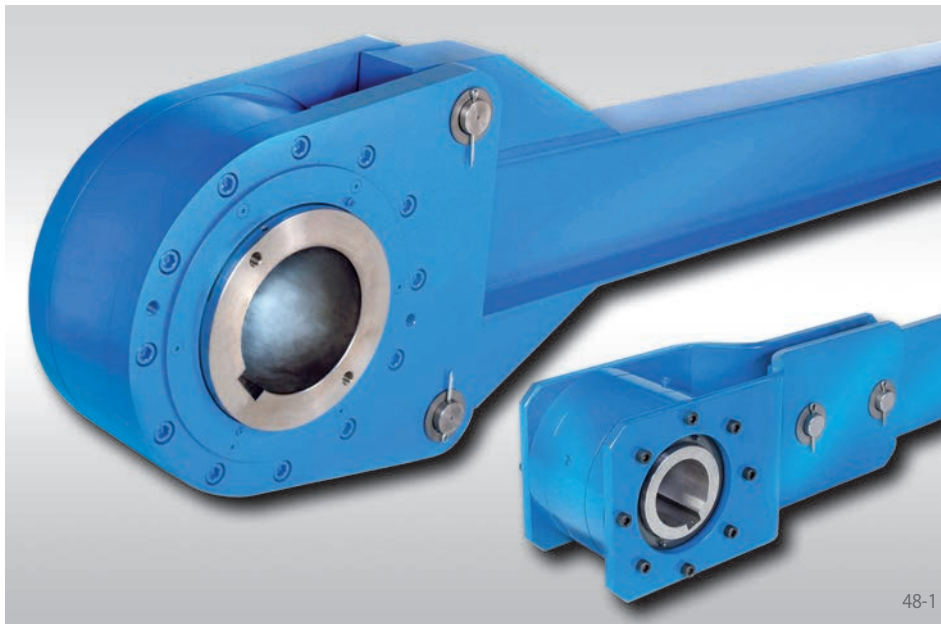


Low Speed Backstops FRHD

with lever arm
in inch dimension, with sprags



Application as

▶ Backstop

for installations with low speeds. The freewheels are designed for the use in inclined conveyor-belts, elevators or pumps. Taconite seals protect the freewheels from contamination with dust or dirt.

Features

Low Speed Backstops FRHD with lever arm are sealed sprag freewheels with ball bearings. They are supplied oil-filled and ready for installation.

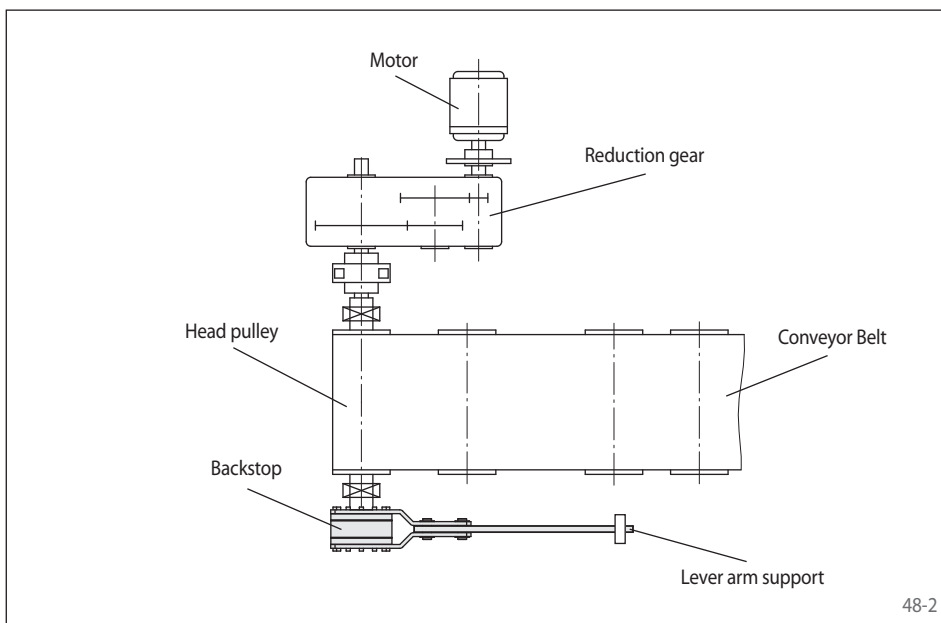
The Low Speed Backstops FRHD are arranged on through shafts or shaft ends.

Nominal torques up to 900 000 lb-ft.

Bores up to 21 inch.

Application example

Backstop FRHD 900 on the head drum shaft of an inclined conveyor belt system. The lever arm is bolted to the freewheel. The backdriving torque is supported by the lever arm on the base plate. When the conveyor belt is without any load, the drum shaft can be turned in both directions during maintenance by removing the bolts.



Mounting

The backdriving torque is supported by the lever arm. The lever arm must not be clamped into position. It must have 0,5 inch play in the axial and in the radial direction.

The tolerance of the shaft must be ISO h6 or j6.

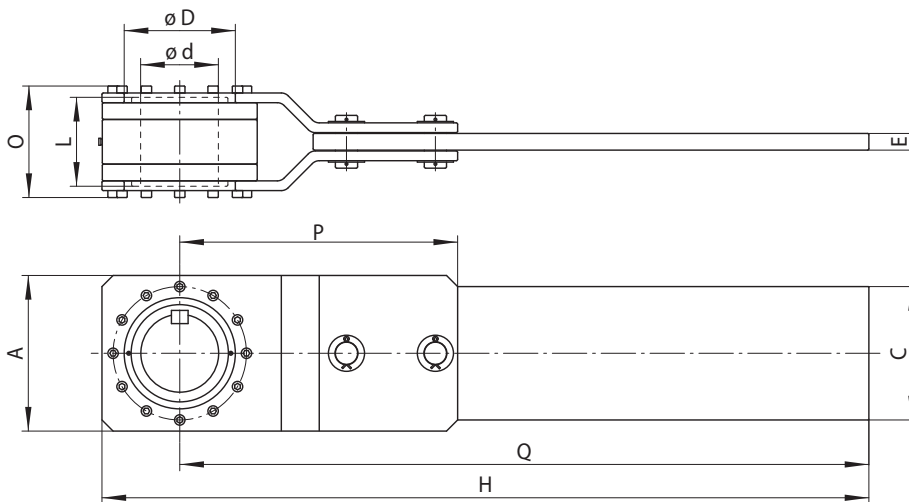
Example for ordering

Freewheel size FRHD 800 with a 3,500 inch bore:

- FRHD 800, d = 3,5 inch

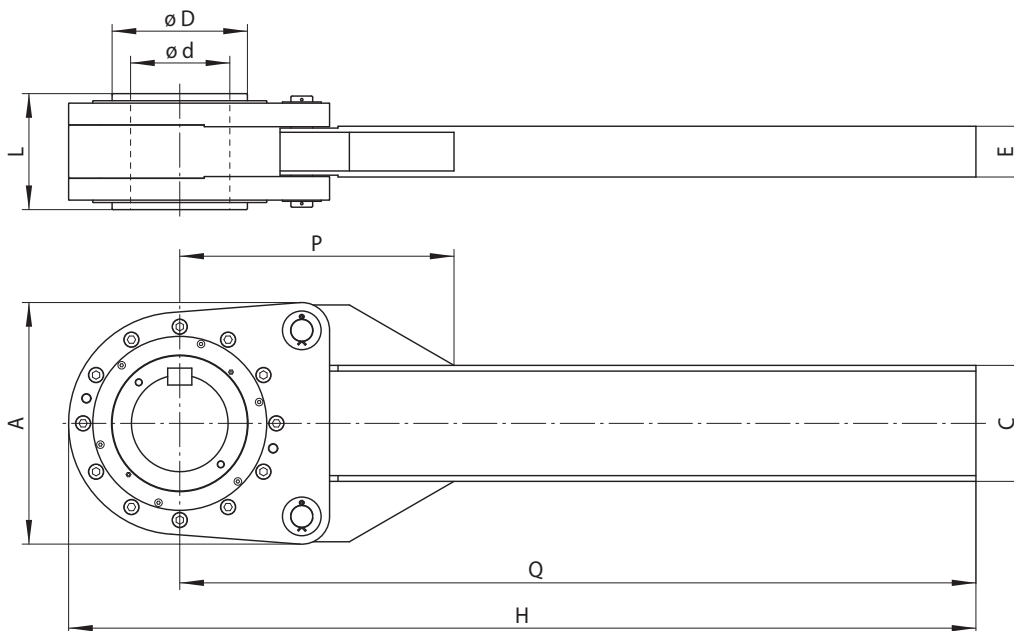


with lever arm
in inch dimension, with sprags



Size FRHD 700 to FRHD 950 and FRHD 1050

49-1



Size FRHD 1000 and FRHD 1100 to FRHD 1800

49-2

Backstop	Standard type	Dimensions											
	For universal use												

Freewheel Size	Nominal torque M_N lb-ft	Max. Speed Inner ring freewheels min^{-1}	Bore d max. inch	A inch	C inch	D inch	E inch	H inch	L inch	O inch	P inch	Q inch	Weight lbs
FRHD 700	3750	620	3,44	8,00	6,00	5,25	0,50	36,00	6,00	6,75	16,38	32,00	135
FRHD 775	7500	540	3,75	9,75	8,00	6,00	1,00	42,88	7,50	9,00	20,38	38,00	310
FRHD 800	12000	460	4,50	10,50	10,00	7,00	1,00	43,25	8,00	9,50	22,13	38,00	360
FRHD 900	18500	400	5,44	12,00	10,00	8,00	1,50	54,00	7,63	9,38	22,75	48,00	480
FRHD 950	23000	360	7,00	14,00	12,00	10,00	1,50	69,00	8,00	10,00	25,00	62,00	530
FRHD 1000	28000	360	7,00	17,00	8,00	9,00	4,13	80,38	8,75	-	23,13	72,00	550
FRHD 1050	45000	360	7,00	14,00	12,00	10,00	1,50	79,00	10,50	12,50	29,00	72,00	600
FRHD 1100	45000	360	7,00	17,00	8,00	9,00	4,13	80,38	10,00	-	23,13	72,00	795
FRHD 1200	92500	250	9,00	23,00	10,00	12,00	4,94	89,00	11,00	-	28,00	78,00	1300
FRHD 1300	110000	220	10,00	25,00	12,00	14,00	5,25	95,00	12,00	-	30,00	82,88	1674
FRHD 1400	140000	200	12,00	30,00	18,00	16,00	6,25	107,00	13,00	-	36,00	94,00	2200
FRHD 1450	190000	200	12,00	30,00	18,00	16,00	6,25	107,00	15,00	-	36,00	94,00	2500
FRHD 1500	290000	200	12,00	31,00	18,00	15,13	6,25	107,00	17,62	-	36,00	94,00	2440
FRHD 1600	373000	140	14,00	32,50	20,00	17,63	6,25	124,00	19,25	-	30,44	108,00	3400
FRHD 1700	625000	120	18,00	42,50	24,50	23,00	7,88	140,00	20,00	-	48,00	120,00	7000
FRHD 1800	900000	100	21,00	52,00	30,00	26,50	10,50	170,00	23,00	-	54,00	144,00	12000

The maximum transmissible torque is 2 times the specified nominal torque. See page 14 for determination of selection torque.
Keyway dimensions upon request by customers. • Conversion factors: 1 lb-ft = 1,35 Nm, 1 inch = 25,4 mm, 1 lbs = 0,453 kg.