

Express Push/Pull cable

for transmission of pull and push forces by advanced bowden cable



Issue 08/2017 · Technical details subject to change without notice.

E07.011e



Express Push/Pull cable 284-V-T05M/T05M-3

RINGSPANN®

for transmission of pull and push forces by advanced bowden cable

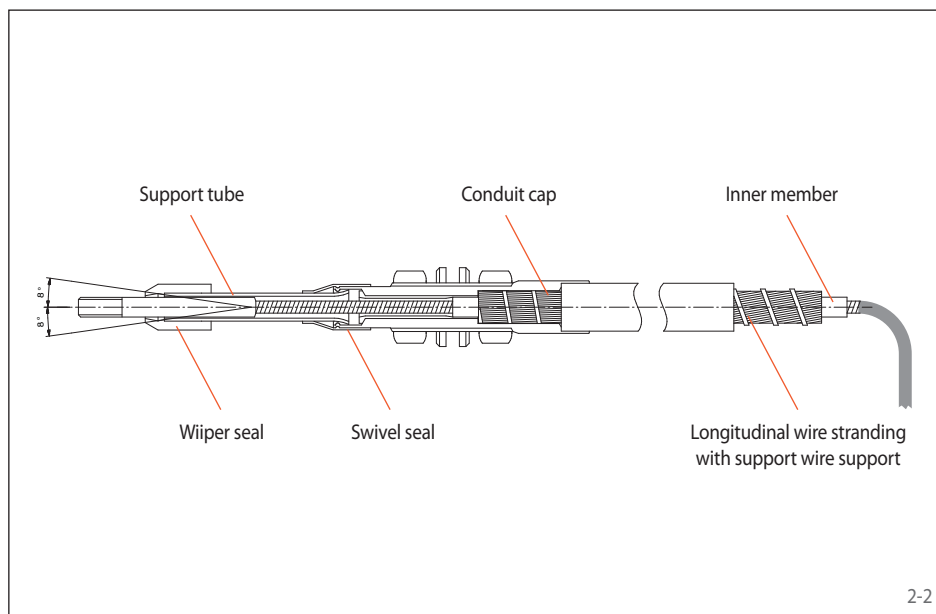
Features

- Push force: 320 N (~ 32 kg)
- Pull force: 540 N (~ 54 kg)
- Travel: 76 mm (~ 3 inch)
- Bending radius: 51 mm
- Low slip-stick effect thanks to teflon coated inner member
- V2A stainless steel connection parts
- M5 thread on end parts
- Diameter of cable fixture: 12 mm (7/16-20 UNF threads, nuts included)
- Seals for protection against dirt, dust and moisture



Setup

A flat wire-reinforced inner member is located in a conduit, which is formed by an inner-lying inner tube and specially arranged longitudinal wires (linear wire stranding). The linear wires are supported and fixed by a support wire winding. A plastic extrusion covers the conduit. For the universal connection of elements, the inner member and conduit are supported with pressed on stainless steel end parts. The push/pull cables are designed for smoothly gliding and are supplied with lifetime lubrication. Effective seals protect the moving elements of the push/pull cables against external influences such as spray water, dust and corrosion.



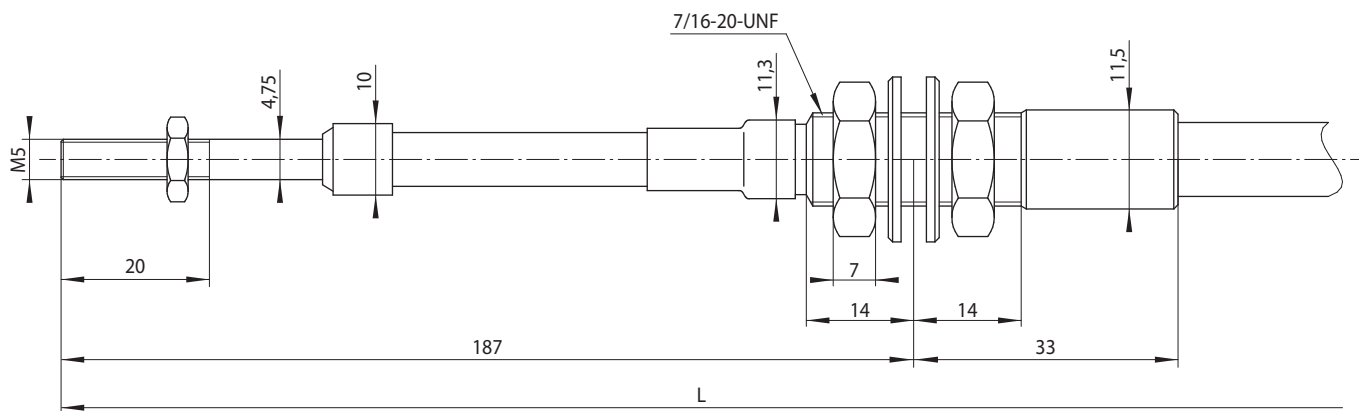
Other features

- Original RCS®-conduit layout with longitudinal wires enforced by flat wire spirals allowing small bending radii and high robustness
- Flexible Bowden cable to transmit push and pull forces
- Spatial separation of in- and output
 - e.g. hatch control with pneumatic cylinder
 - e.g. save weight and inertia in moving systems
- Force transmission between moving parts
- Protect sensitive elements from heat, dirt and moisture



Express Push/Pull cable 284-V-T05M/T05M-3

for transmission of pull and push forces by advanced bowden cable



3-1

Length L cm	Article number
100	4582-193931-S30100
150	4582-193931-S30150
200	4582-193931-S30200
300	4582-193931-S30300
400	4582-193931-S30400

Europe

Germany

RINGSPANN RCS GmbH
Hans-Mess-Straße 7
61440 Oberursel
Germany
+49 61 72 67 68 50
info@ringspann-rcs.de
www.ringspann-rcs.com

Germany Northern region

Ingenieur-Büro Hörschgen
Hölderlinstraße 30
27753 Delmenhorst
Germany
+49 42 21 182 45
ib-hoerschgen@t-online.de
www.ib-hoerschgen.de

France

SIAM - RINGSPANN S.A.
23 rue Saint-Simon
69009 Lyon
France
+33 4 78 83 59 01
info@siam-ringspann.fr
www.ringspann.fr

Great Britain, Ireland

RINGSPANN (U.K.) LTD.
3, Napier Road
Bedford MK41 0QS
Great Britain
+44 12 34 34 25 11
info@ringspann.co.uk
www.ringspann.co.uk

Italy

RINGSPANN Italia S.r.l.
V.le A. De Gasperi, 31
20020 Lainate (MI)
Italy
+39 02 93 57 12 97
info@ringspann.it
www.ringspann.it

Netherlands, Belgium, Luxembourg

RINGSPANN Benelux B.V.
Nieuwenkampsmaten 6-15
7472 De Goor
Netherlands
+31 547 2613-55
info@ringspann.nl
www.ringspann.nl

Norway

I D Transmisjoner AS
Stålfjæra 12
0975 Oslo 11
Norway
+47 22 64 215 0
jk002@online.no
www.transmisjon.no

Austria, Hungary, Slovenia

RINGSPANN Austria GmbH
Kleegasse 9
2624 Breitenau
Austria
+43 26 35 624 46
info@ringspann.at
www.ringspann.at

Sweden, Finland, Denmark, Norway, Baltic states

RINGSPANN Nordic AB
Industrigatan 7
61933 Trosa
Sweden
+46 156 190 98
info@ringspann.se
www.ringspann.se

Switzerland

RINGSPANN AG
Sumpfstrasse 7
6300 Zug
Switzerland
+41 41 748 09 00
info@ringspann.ch
www.ringspann.ch

Spain, Portugal

RINGSPANN IBERICA S.A.
C/Uzbina, 24-Nave E1
01015 Vitoria
Spain
+34 945 22 77-50
info@ringspann.es
www.ringspann.es

Asia

China, Taiwan

**RINGSPANN Power Transmission
(Tianjin) Co., Ltd.**
No. 21 Gaoyan Rd.
Binhai Science and Technology Park
Binhai Hi-Tech Industrial
Development Area
Tianjin, 300458
P.R. China
+86 22 59 80 31 60
info.cn@ringspann.cn
www.ringspann.cn

India, Bangladesh, Nepal

**RINGSPANN Power Transmission
India Pvt. Ltd.**
GAT No: 679/2/1
Village Kuruli, Taluka Khed
Chakan-Alandi Road
Pune - 410501
India
+91 2135 677 500
info@ringspann-india.com
www.ringspann-india.com

America

USA, Canada, Mexico, Chile, Peru

RINGSPANN Corporation
10550 Anderson Place
Franklin Park, IL 60131
U.S.A.
+1 847 678-35 81
info@ringspanncorp.com
www.ringspanncorp.com

Africa and Middle East

Maghreb, West Africa

SIAM - RINGSPANN S.A.
23 rue Saint-Simon
69009 Lyon
France
+33 4 78 83 59 01
info@siam-ringspann.fr
www.ringspann.fr

South Africa, Sub-Saharan

**RINGSPANN Transmission
Components (Pty) Ltd.**
96 Plane Road Spartan
Kempton Park
P.O. Box 8111 Edenglen 1613
South Africa
+27 11 394 18 30
info@ringspann.co.za
www.ringspann.co.za