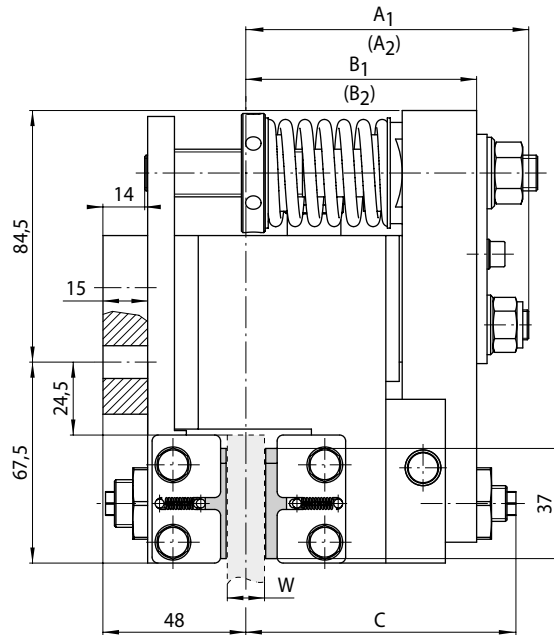
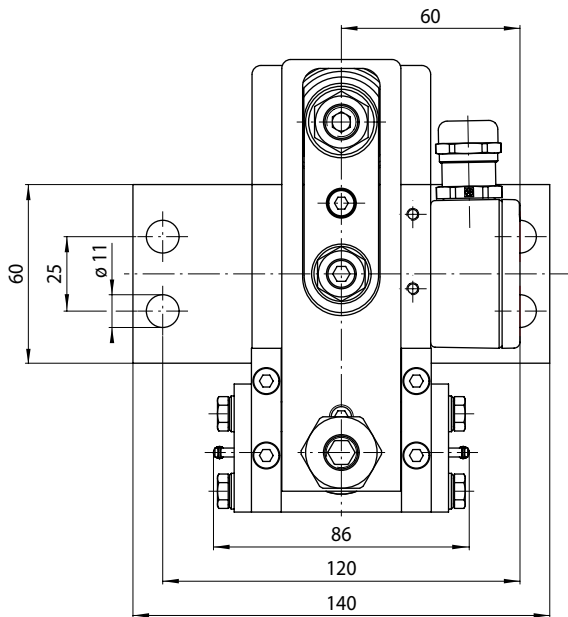




# Brake Calipers EV 018 FEM and EH 018 FEM

spring activated – electromagnetically released

## Brake Caliper EV 018 FEM

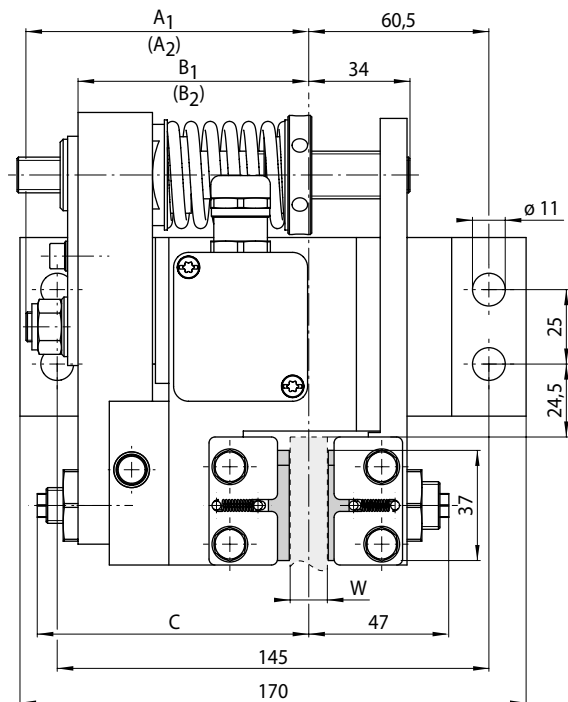
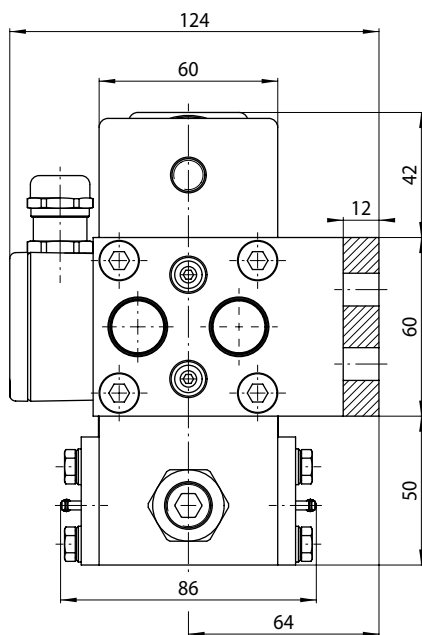


Thickness of brake disc W mm	$A_1$ mm	$(A_2)$ mm	$B_1$ mm	$(B_2)$ mm	$C$ mm
8 ... 15	97	(108)	76,5	(95)	90
16 ... 20	99	(110)	78,5	(97)	94

Values in brackets resulting with friction block wear.

75-1

## Brake Caliper EH 018 FEM



Thickness of brake disc W mm	$A_1$ mm	$(A_2)$ mm	$B_1$ mm	$(B_2)$ mm	$C$ mm
8 ... 15	97	(108)	76,5	(95)	90
16 ... 20	99	(110)	78,5	(97)	94

Values in brackets resulting with friction block wear.

75-2